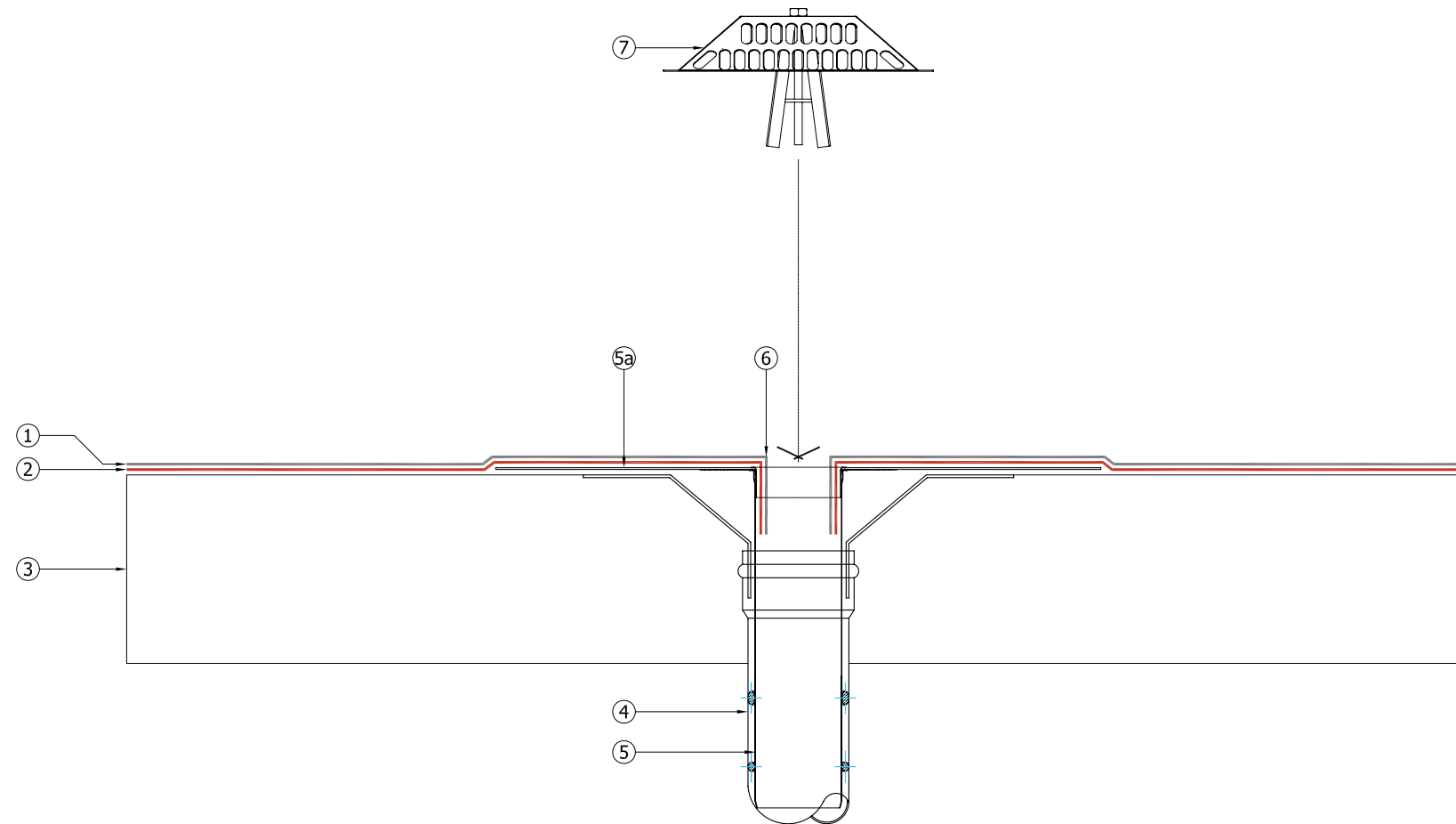


Key

- ① — Decothane Top Coat as per Sika Liquid Plastics Project Specification
- ② — Decothane Base Coat with embedded Reemat Premium GFM
- ③ Existing substrate prepared and primed in strict accordance with Sika Liquid Plastics Project Specification
- ④ Existing internal roof outlet and rainwater pipe assembly
- ⑤ Sika Liquid Plastics Vertical Refurbishment Outlet [options to suit existing 110mm and 75mm internal diameter pipe]
- 5a Outlet flange bonded to the existing substrate with Decostik cold fusion adhesive
- ⑥ Fully reinforced Decothane Waterproofing System dressed as far into new Vertical Outlets as practicable
NOTE: Outlet body primed with Sika Liquid Plastics Metal Primer prior to Decothane base Coat application
- ⑦ Leaf Guard inserted into vertical outlet following through-cure of the Waterproofing System



Sika Liquid Plastics
 Sika House
 Miller Street
 Preston
 Lancashire PR1 1EA
 Telephone: 01772 259781
 Email: technical.customer.services@uk.sika.com
 Web: www.liquidplastics.co.uk

This drawing is solely intended to illustrate the correct application of Sika Liquid Plastics products and systems, it must be read in conjunction with the appropriate specification and current issue of relevant Technical Data Sheets. All elements bearing reference to structural and/or thermal design are shown indicatively and **should not be used** in whole or in part for any aspect of project design without consulting the relevant authorities.

For refurbishment projects, all aspects of the existing roof are deemed to be fully compliant with BS 6229:2003 [Code of Practice for Flat Roofs with Continuously Supported Coverings] or improved upon for instances where these standards are not met.

Site-specific details not covered by our range of Standard Details can be obtained by providing relevant information to the email address shown.

Project N^o

DWG N^o Revision

Project:

Drawing Title:
 Waterproofing Termination Detail
 to Sika Liquid Plastics Vertical
 [refurbishment] Outlet

Scale: NTS @ A3 Drawn:

Date:

